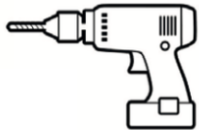




MADE TO MEASURE BLIND SCREEN

TOOLS REQUIRED



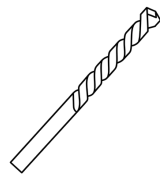
Drill



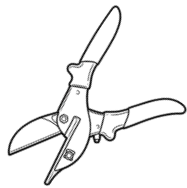
Screwdriver



**8 mm HSS
Drill Bit**



**2mm
Steel Bit**



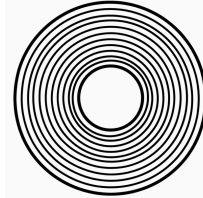
**Gasket / Mitre
Shear**



**Silicone Gun
(Optional)**

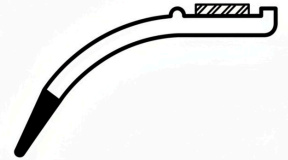
You will also need wall plugs and packers/ shims or for the easiest installation use VanoSeal® and SellaTrim®

FITTING COMPONENTS REQUIRED



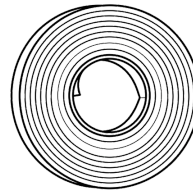
VanoSeal®

Silicon Free Seamless
Finish

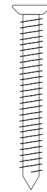


SellaTrim®

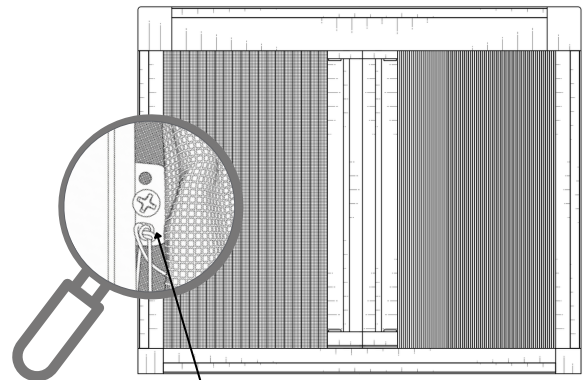
Packer / Shims Free
Installation



Mounting Tape



**25mm Black
Screws**



Cord Tensioning Plates

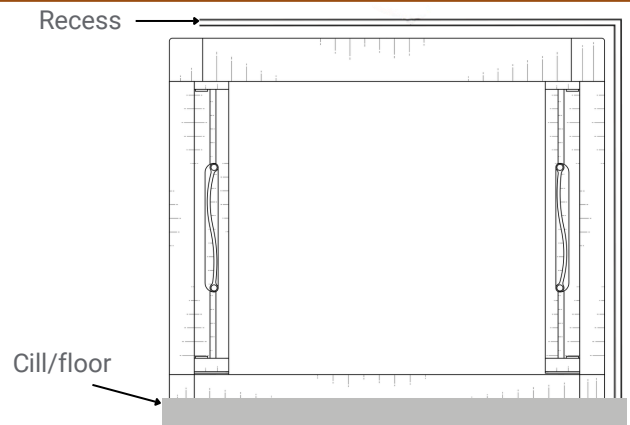
ASSEMBLE THE BLIND SCREEN

Remove all three sections from the packaging.

Push fit the top and bottom frames to the side frames, ensuring that the corners are firmly pushed into the frame.

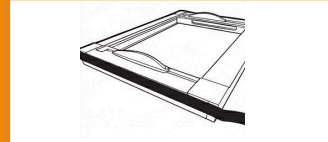
All cords must be untangled and positioned centrally in the top and bottom channels.

When attaching the top and bottom frames, the Blind Screen logo should be facing into the room and cord tension plates should be facing the window.





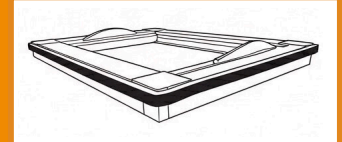
STEP 1
Peel and cut required length.



STEP 2
Carefully and smoothly place down the VanoSeal® around ONE side of the frame.

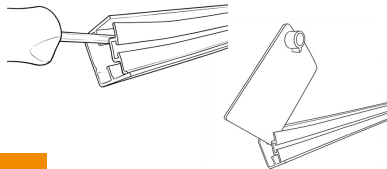


STEP 3
When you get to a corner, pinch the VanoSeal® to make it flush to the corner, it should not leave any gaps.



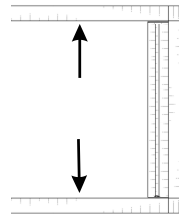
STEP 4
Repeat the process along the top and the opposite side of the frame

01 & 01D FITTING INSIDE RECESS



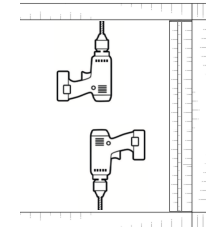
1

Ensure ABS Strip is Removed from bottom frame, use a screwdriver to pop out the strip and slide it off with a card or thin firm plastic.



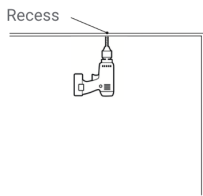
2

Raise cords out of top and bottom inner runner.



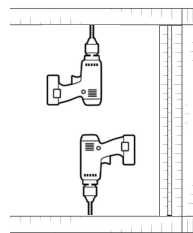
3

Drill a 2mm hole through top frame through to the recess to indicate the position for fixing holes.



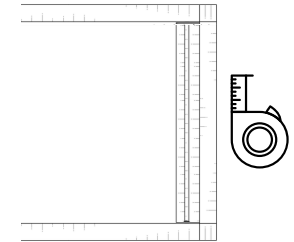
4

Remove the frame and drill holes for the plugs. Reposition frame.



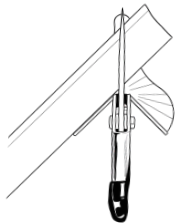
5

Raise cords out of top and bottom runner. Counter sink screws into top and bottom runner and in position of the pre drilled holes.



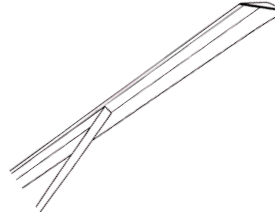
6

Apply SellaTrim®, Measure side of recess to find required length (measure 1-2mm shorter than recess so its not too tight.)



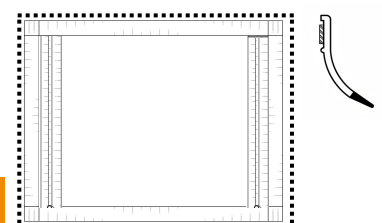
7

Then cut at a 45° angle (Mitre shears) repeat steps 7-8 twice more for each remaining side. (excluding window sill/ floor side.)



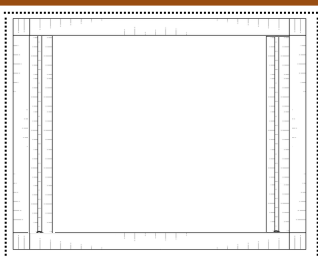
8

Peel adhesive covering.



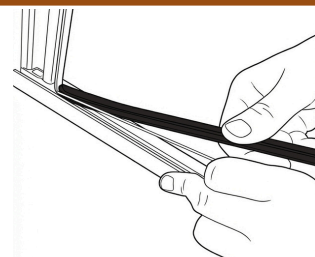
9

Apply Top and Sides - Adhesive side should be on the BlindScreen frame. Squeezing the SellaTrim® into the frame so it forms up against the wall. Repeat steps 9-10 until process is complete.



10

Alternatively, apply silicone between the frame and the recess.



11

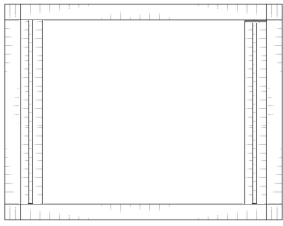
Lift up the cords inside the frame and slide the ABS strip underneath



01 Fitting

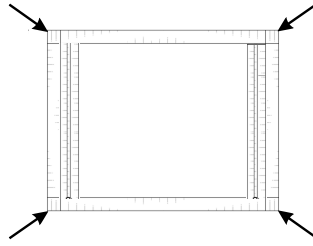
01 & 01D FITTING OUTSIDE RECESS

1



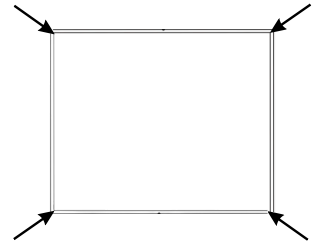
Place in position on the outside recess.

2



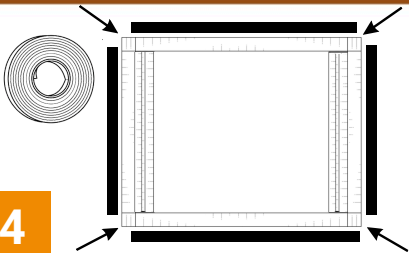
Remove Cover Caps from sides and mark drill positions

3



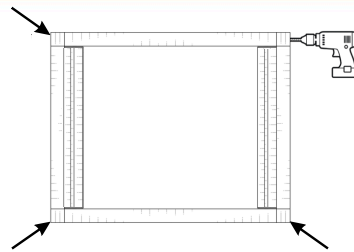
Drill and plug marked holes

4



Apply Mounting tape in-between the 01 frame and the window frame.

5



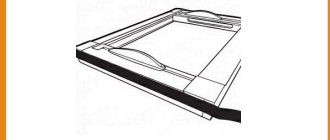
Line the Blind Screen in position of plugged holes, screw until tight and place caps back over corners.



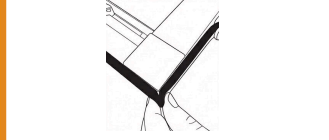
[Jacks Tips](#)
[How to Face Fix \(Ep 5\)](#)



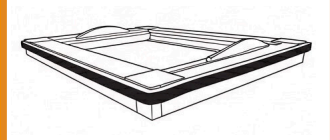
STEP 1
Peel and cut required length.



STEP 2
Carefully and smoothly place down the VanoSeal® around ONE side of the frame.

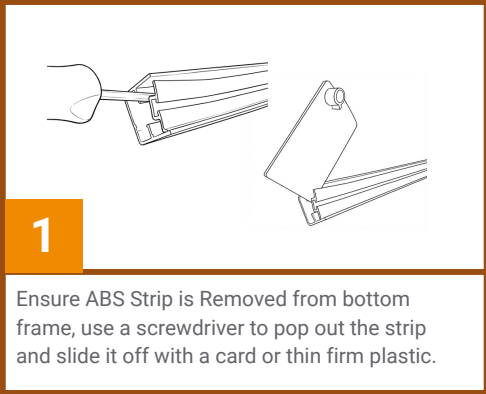


STEP 3
When you get to a corner, pinch the VanoSeal® to make it flush to the corner, it should not leave any gaps.

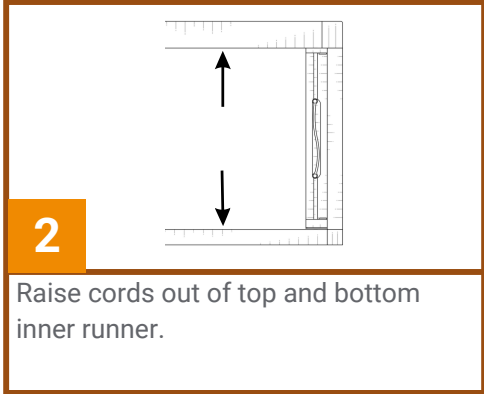


STEP 4
Repeat the process along the top and the opposite side of the frame

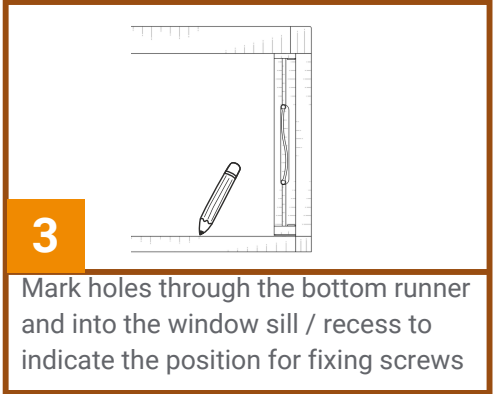
02 & 02D BLIND SCREEN - FITTING INSIDE RECESS



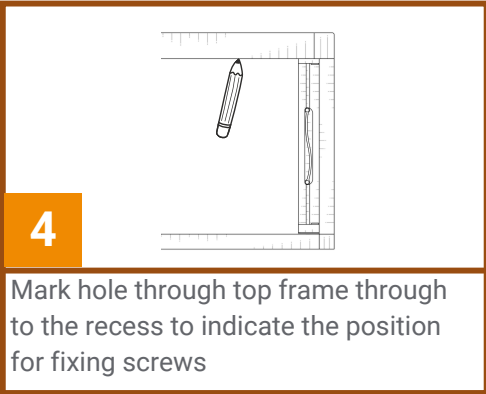
1
Ensure ABS Strip is Removed from bottom frame, use a screwdriver to pop out the strip and slide it off with a card or thin firm plastic.



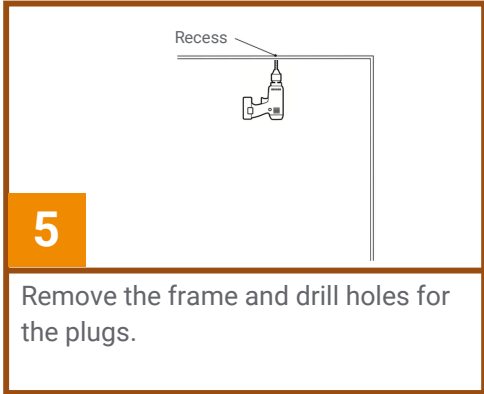
2
Raise cords out of top and bottom inner runner.



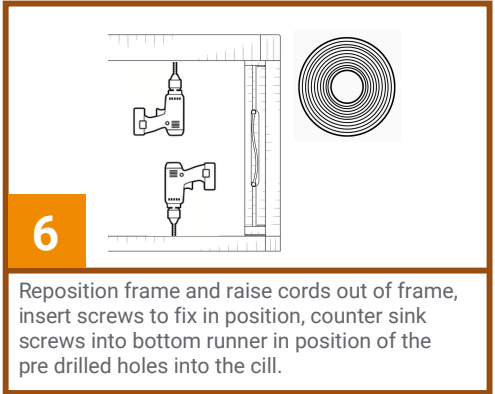
3
Mark holes through the bottom runner and into the window sill / recess to indicate the position for fixing screws



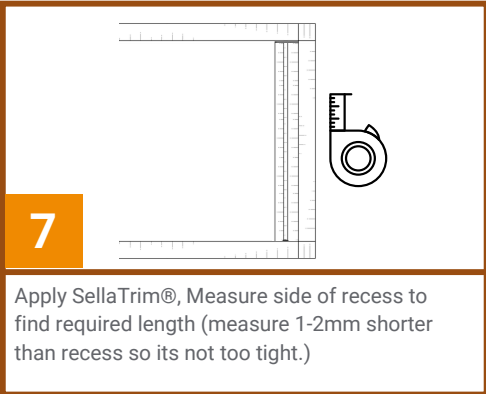
4
Mark hole through top frame through to the recess to indicate the position for fixing screws



5
Remove the frame and drill holes for the plugs.



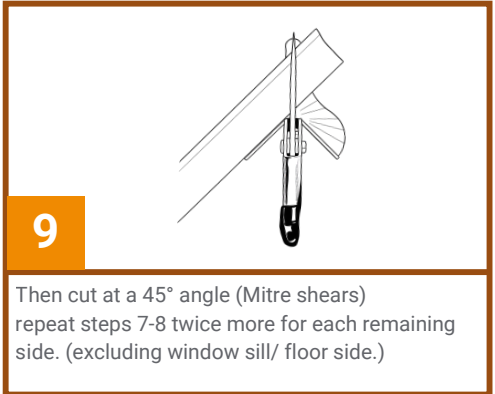
6
Reposition frame and raise cords out of frame, insert screws to fix in position, counter sink screws into bottom runner in position of the pre drilled holes into the cill.



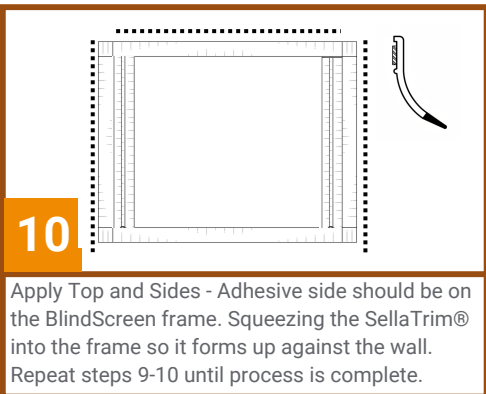
7
Apply SellaTrim®, Measure side of recess to find required length (measure 1-2mm shorter than recess so its not too tight.)



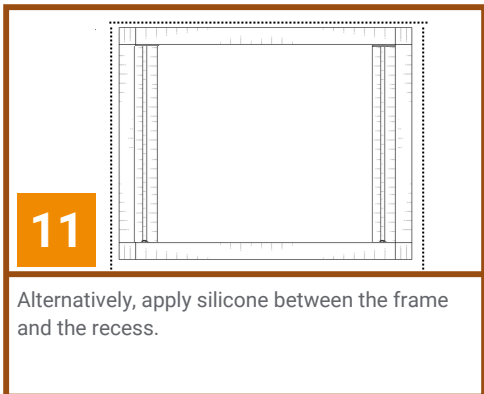
8
Peel adhesive covering.



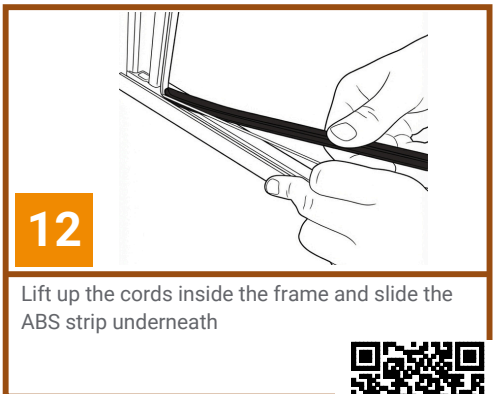
9
Then cut at a 45° angle (Mitre shears) repeat steps 7-8 twice more for each remaining side. (excluding window sill/ floor side.)



10
Apply Top and Sides - Adhesive side should be on the BlindScreen frame. Squeezing the SellaTrim® into the frame so it forms up against the wall. Repeat steps 9-10 until process is complete.



11
Alternatively, apply silicone between the frame and the recess.

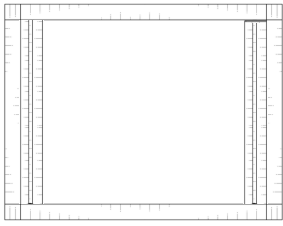


12
Lift up the cords inside the frame and slide the ABS strip underneath



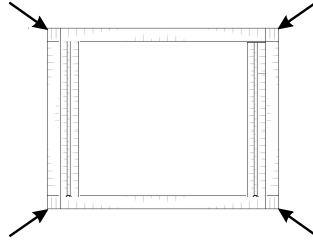
02 & 02D FITTING OUTSIDE RECESS

1



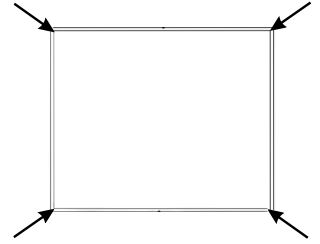
Place in position on the outside recess.

2



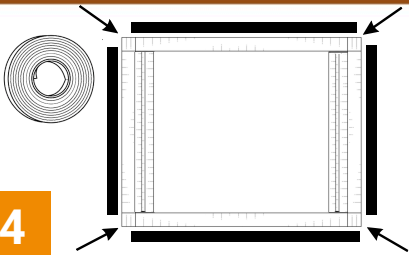
Remove Cover Caps from sides and mark drill positions

3



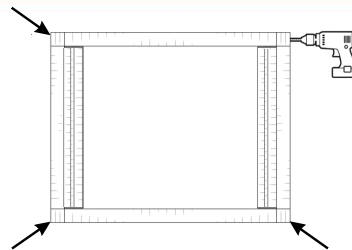
Drill and plug marked holes

4



Apply Mounting tape in-between the 01 frame and the window frame.

5

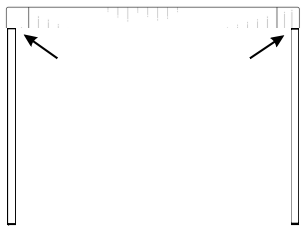


Line the Blind Screen in position of plugged holes, screw until tight and place caps back over corners.

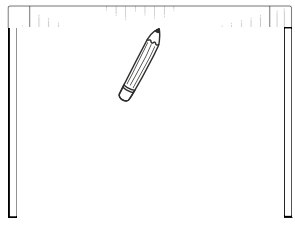


[Jacks Tips](#)
[How to Face Fix\(Ep 5\)](#)

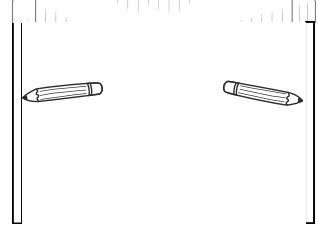
03 & 03DT BLIND SCREEN - FITTING INSIDE RECESS



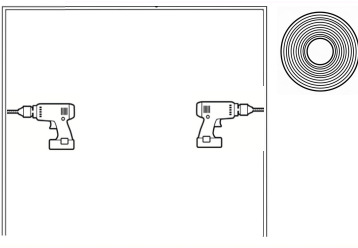
1
Attach side frames to top frame



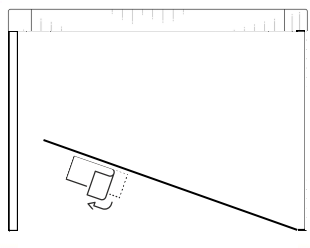
2
Mark a hole through top frame through to the recess to indicate the position for fixing screws



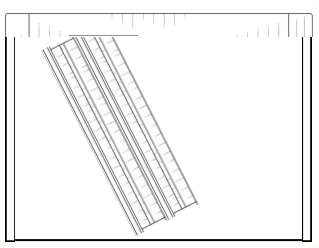
3
Mark holes to the side frames ready to counter sink screws to indicate the position for fixing screws.



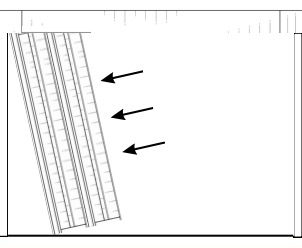
4
Remove the frame and drill holes for the plugs. Reposition frame and insert screws to fix in position



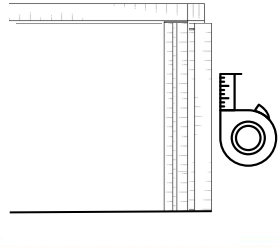
5
Remove adhesive tape from the underside of the low threshold runner. Line up with bottom of side frames and lay threshold on the ground.



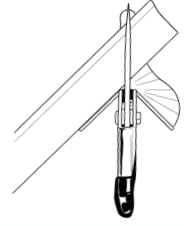
6
Take panels and raise into top frame at an angle



7
Push panels into side frame until you hear it click into place



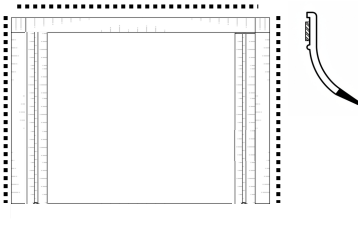
8
Apply SellaTrim™, Measure side of recess to find required length (measure 1-2mm shorter than recess so its not too tight.)



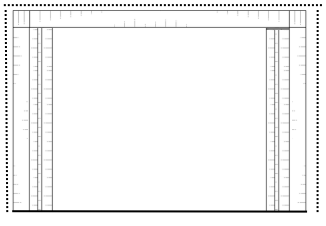
9
Then cut at a 45° angle (Mitre shears) repeat steps 7-8 twice more for each remaining side. (excluding window sill/ floor side.)



10
Peel adhesive covering.



11
Apply Top and Sides - Adhesive side should be on the BlindScreen frame. Squeezing the SellaTrim™ into the frame so it forms up against the wall. Repeat steps 9-10 until process is complete.



11
Alternatively, apply silicone between the frame and the recess.



Fitting Instructions

Retentioning Videos

01 & 02 How To Retention

01



Click or Scan
To Watch

02



Click or Scan
To Watch

03



Click or Scan
To Watch

TROUBLESHOOTING QUICK REFERENCE

ALL MODELS

PULL ROD SPRINGS BACK

- Increase the tension.

PULL ROD NOT STRAIGHT

- Top of rod further forward → increase tension at the bottom.
- Bottom of rod further forward → increase tension at the top.

PULL ROD DOESN'T TRAVEL SMOOTHLY

- Check the cord exits the top and bottom of the pull rod centrally.
- Check the cord is not trapped between the frame and corner piece.
- Longer screens need more tension and may seem stiff — if all cords travel freely, try removing some tension.
- Cords not central: use the ABS strip before reinserting to push cords so they jump back onto the wheels.

LIGHT LEAKAGE AT TOP / BOTTOM

- Check corner pieces are firmly pushed into the frame.
- Check top/bottom rail is perfectly level — tighten/loosen screws.

FABRIC TOO TIGHT WITHIN THE FRAME

- Raise the head rail by the amount needed.
- There should be no up and down movement in the fabric.

MAGNET NOT HOLDING

- Ensure there isn't too much tension causing the pull rods to bow — this stops the magnets from properly meeting each other.

MODEL 02 SPECIFIC

CORDS TWISTED / TANGLED

- Remove the corner piece.
- Rotate until cords are untangled, then replace.

SCREEN WRONG DIMENSIONS

- Check corner pieces are the right way round.
- There should be no gap between corner piece and profile.



Manufacturing Partnership
With



HALLIS HUDSON
Committed to excellence

Hallis Hudson, Unit C34, Red Scar Business Park, Longridge Road, Preston, Lancashire, PR2 5NN
Sales Tel: 01772 202 202 | Email: sales@hallishudson.com | www.halliswebshop.com
www.hallishudson.com